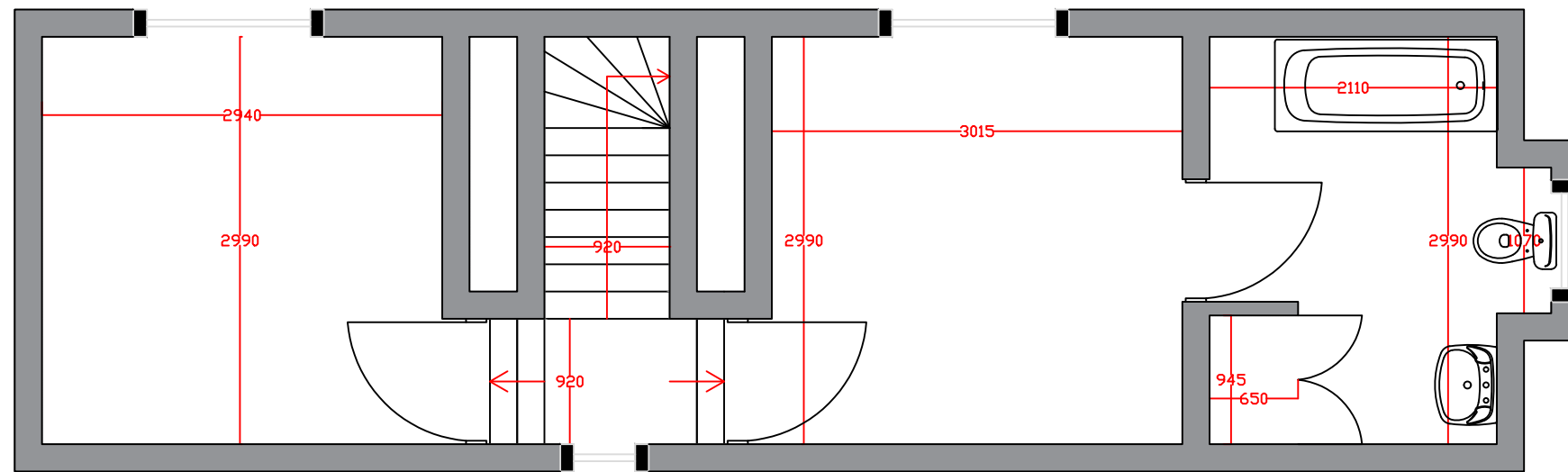
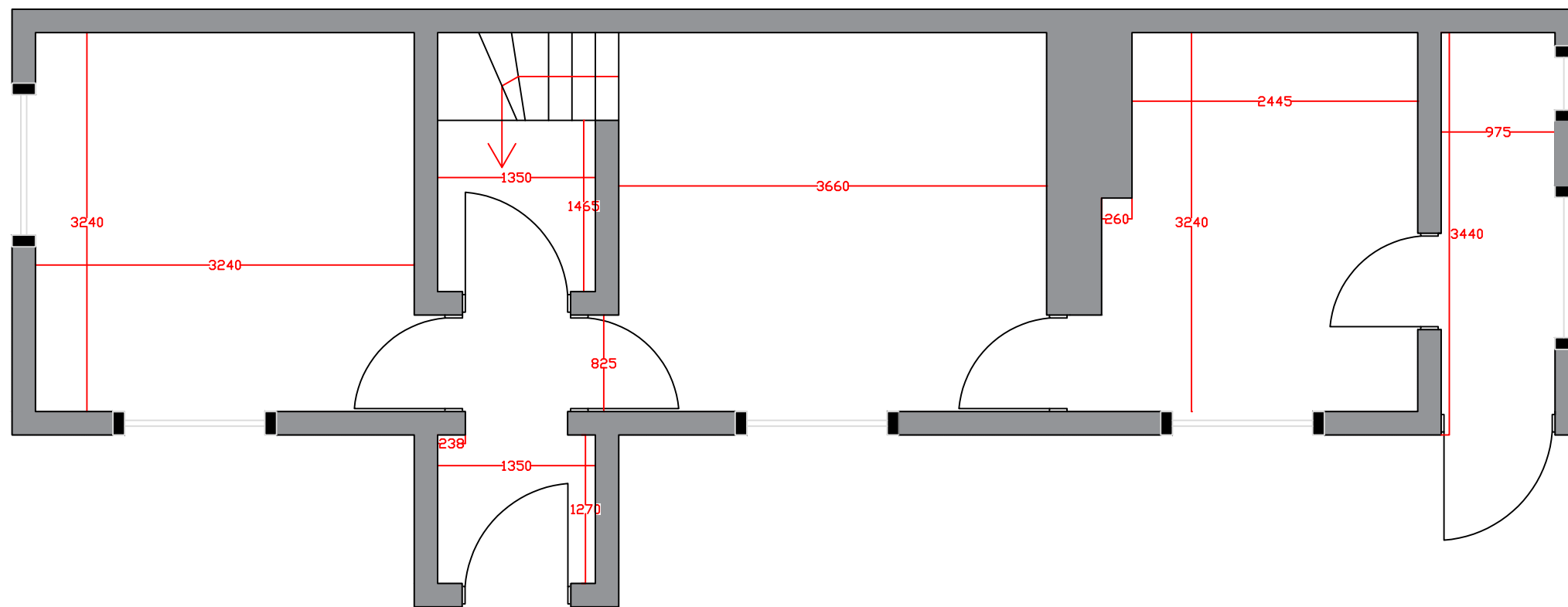


First Floor



Ground Floor



General Notes

No.	Revision/Issue	Date

Firm Name and Address
 Epsom & Ewell Borough Council
 KT18 5BY
 Town Hall
 The Parade
 Epsom

Project Name and Address
 Bourne Hall Lodge - Floor Plan

Project A-1-01	Sheet A3
Date 09/08/2024	
Scale 1:50	